

FORTINET®

Aislelabs

DEPLOYMENT GUIDE

Aislelabs Integration with Fortinet WiFi

Aislelabs Integration with Fortinet WiFi

- Introduction3
- Aislelabs Flows Integration with Fortinet FortiGate3
 - Data Flow Diagram and Prerequisite.....3
- Aislelabs Connect Integration with Fortinet FortiGate4
 - Data Flow Diagram and Prerequisite.....4
- Aislelabs Flow Integration with Fortinet FortiWLC WiFi5
 - Data Flow Diagram and Prerequisite.....5

Introduction

This document shows the integration with Fortinet WiFi infrastructure with Aislelabs Flow and Connect Products. Most Fortinet products are turnkey compatible with Aislelabs solution suite, and do not require any additional hardware or components. If your specific hardware model is not listed here, contact us. You can request detailed integration information and assistance for the deployed integration by contacting support@aislelabs.com.

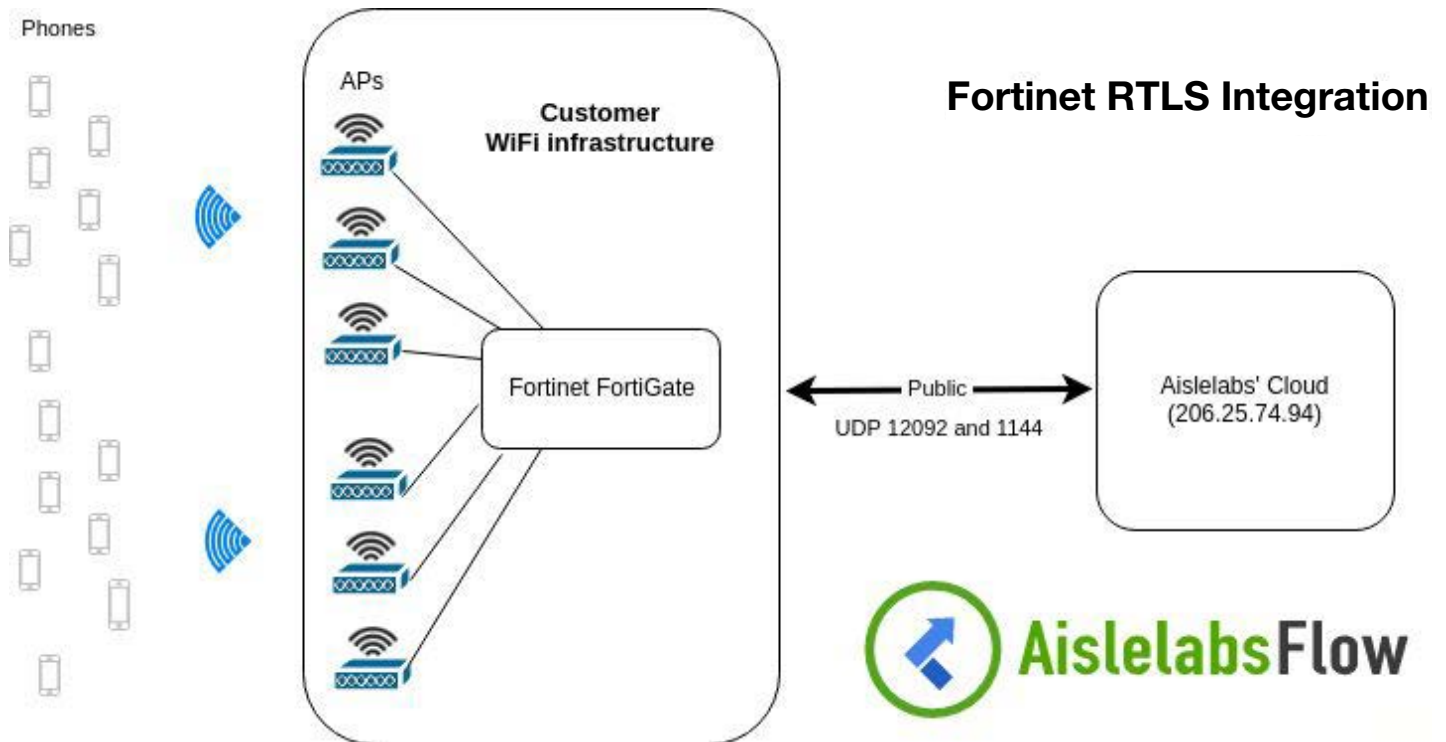
Learn more about Aislelabs and products at www.aislelabs.com.

Aislelabs Flow Integration with Fortinet FortiGate

Using Real-time Location Service (RTLS) for Anonymous Wi-Fi Location Analytics

Data Flow Diagram and Prerequisite

1. Complete list of AP MAC address, Public IP of your FortiGate
2. Enable *bidirectional* UDP port 12092 and port 1144 traffic on the firewall between Aislelabs and the FortiGate



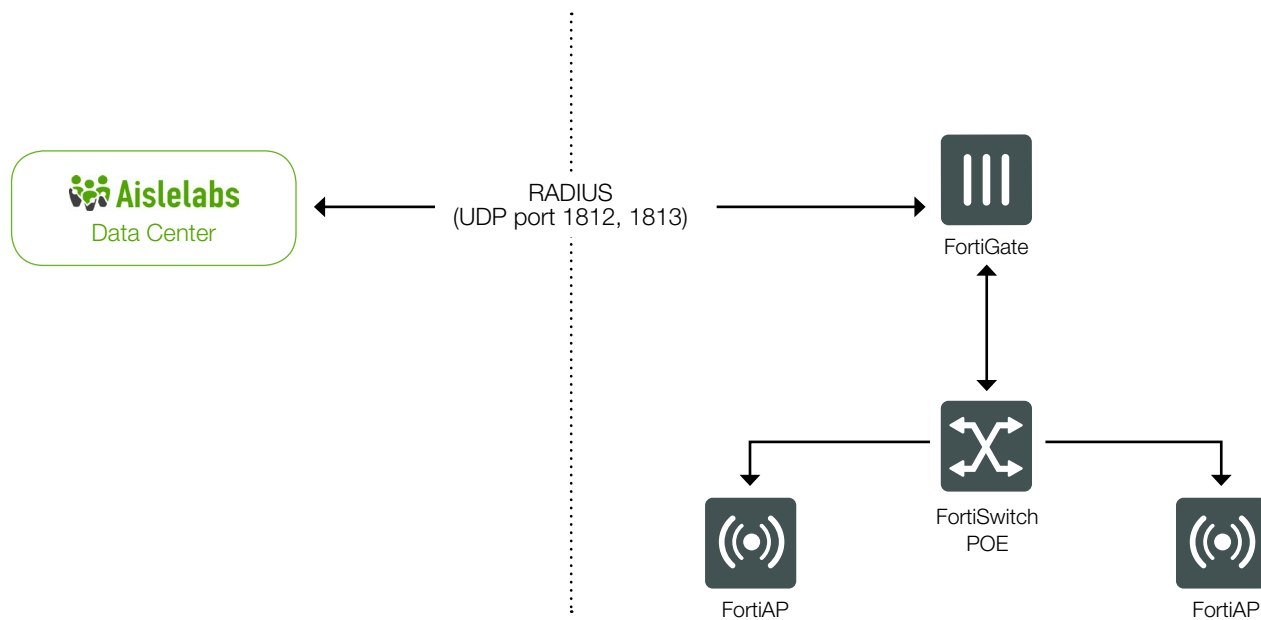
Requirement	Type	Firewall Rule	Comments
Outgoing UDP port 12092 and 1144 requests	Required	Allow outgoing UDP 12092 and 1144 from FortiGate to Aislelabs	
Incoming UDP 12092 and 1144 requests	Required	Allow incoming UDP 12092 and 1144 from Aislelabs to FortiGate	
Incoming acknowledgement packets	Required	Allow UDP acknowledgement packet back to controller (sent from Aislelabs as response)	Allow UDP acknowledgement packet, either by allowing all incoming UDP traffic or using stateful firewall NAT
Fortinet Controller Access	Optional	Create a user account and send us	Optional, and if provided, this will allow us to configure the service on your account directly

Aislelabs Connect Integration with Fortinet FortiGate

Using Fortinet FortiAP for Wi-Fi Marketing

Data Flow Diagram and Prerequisite

The controller will be able to send data to our RADIUS IP over UDP port 1812 and 1813 and receive data back. The easiest way to achieve this is by NAT, but site-to-site VPN can also be used. In this case via VPN.



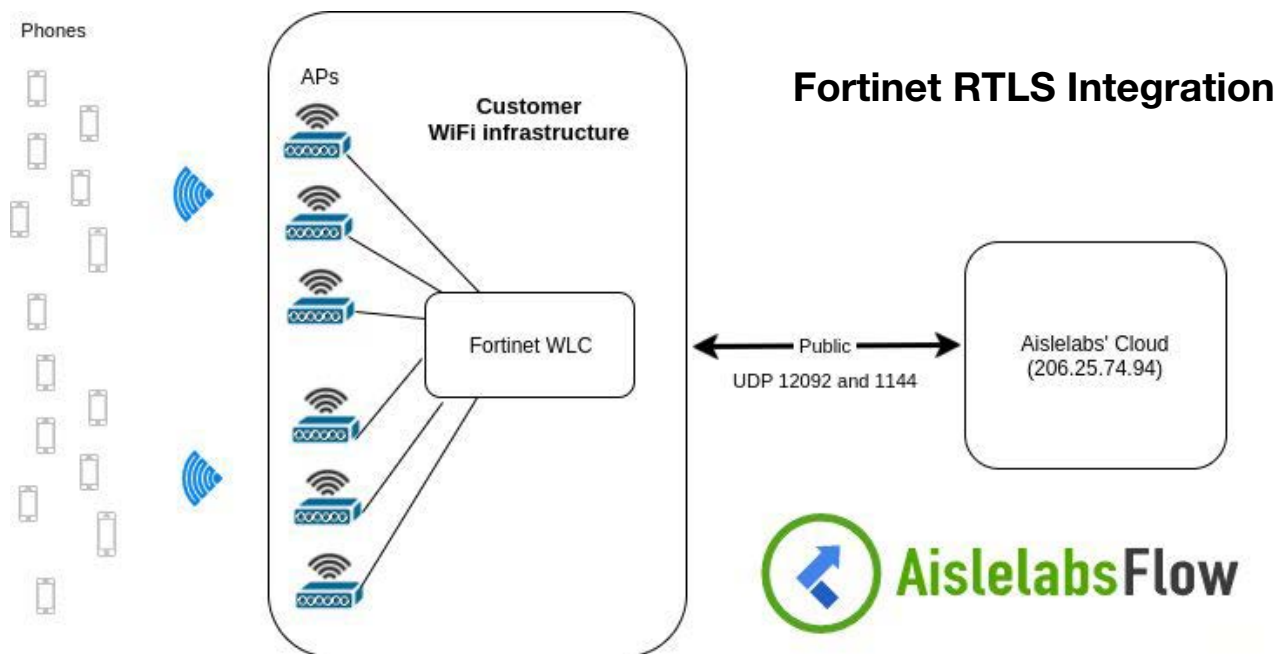
Requirement	Type	Firewall Rule	Comments
Outgoing UDP 1812 and 1813 requests	Required	Allow outgoing UDP 1812, 1813 from FortiGate Controller to Aislelabs	
Incoming acknowledgement packets	Required	Allow UDP acknowledgement packet back to FortiGate Controller (sent from Aislelabs as response)	Allow UDP acknowledgement packet, either by allowing all incoming UDP traffic or using stateful firewall NAT
FortiGate Controller Access	Optional	Create a user account and send us	Optional, and if provided, this will allow us to configure Social WiFi on your controller directly

Aiselabs Flow Integration with Fortinet FortiWLC WiFi

Using Real-time Location Service (RTLS) for Anonymous Wi-Fi Location Analytics

Data Flow Diagram and Prerequisite

1. Complete list of AP MAC address, Public IP of your Fortinet WLC
2. Enable *bidirectional* UDP port 12092 and port 1144 traffic on the firewall between Aiselabs and the Fortinet Controller



Requirement	Type	Firewall Rule	Comments
Outgoing UDP port 12092 and 1144 requests	Required	Allow outgoing UDP 12092 and 1144 from Fortinet Controller to Aiselabs	
Incoming UDP 12092 and 1144 requests	Required	Allow incoming UDP 12092 and 1144 from Aiselabs to Fortinet Controller	
Incoming acknowledgement packets	Required	Allow UDP acknowledgement packet back to controller (sent from Aiselabs as response)	Allow UDP acknowledgement packet, either by allowing all incoming UDP traffic or using stateful firewall NAT
Fortinet Controller Access	Optional	Create a user account and send us	Optional, and if provided, this will allow us to configure the service on your account directly